

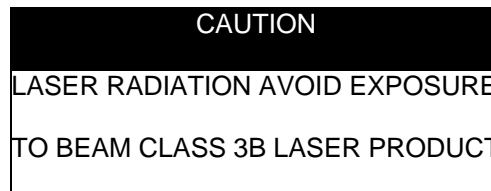
# User Manual

## ORION Dual Beam (Red/Green)

[ORLASER7]

### Warnings

- For indoor use only
- Use with a grounded mains power supply
- Locate on a flat surface away from moisture and vibration.
- Caustic chemicals or liquids can cause damage to the housing.
- Operating temperature: 18°C to 35°C
- Continuous use for more than 4 hours may shorten the product's lifespan.
- Use cleaning tissue to remove dust on the lenses to optimize light output.
- Do not remove or break the warranty label.
- Do not disassemble the fixture yourself. Please consult a professional for service and repair.



### Fuse Replacement:

Disconnect the unit from the mains power supply. Unscrew the fuse holder with a flathead screwdriver. Remove the old fuse and replace it with the same type of fuse.

**CAUTION:** Always replace with the correct type of fuse – anything other than the specified fuse can cause fire or electric shock, damage your unit, and void your warranty.

### Specifications

Power voltage:	AC220 V/ 50 HZ
Fuse	2A/250V
Power output:	20W.
LASERS	(Laser Safety Level : Class IIIB)
Wavelength	532nm, Green Power 40mW TEC LASER
Wavelength	650nm, Red Power 60mW TEC LASER
Stepper motor,	X/Y scanning
	More than 60 graphics and 200 effects
Operating modes:	Sound Active, Auto.
Scan Angle :	38°
Size:	377mm x 287mm x 195mm

## **Operation**

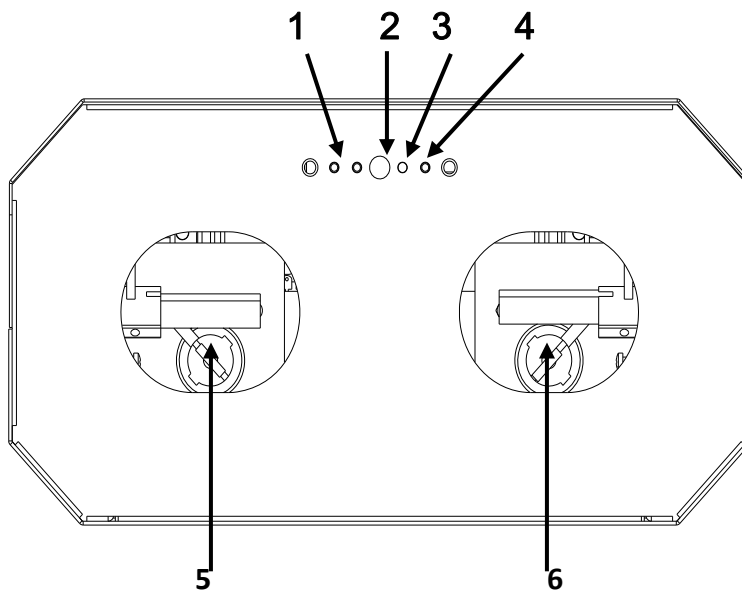
### **Sound Active Mode**

- Switch to Sound Active mode and turn the unit on.
- Turn the sensitivity knob clockwise direction to increase the fixture's response to sound.
- The laser will automatically turn off 7 seconds after the music stops.

### **AUTO Mode**

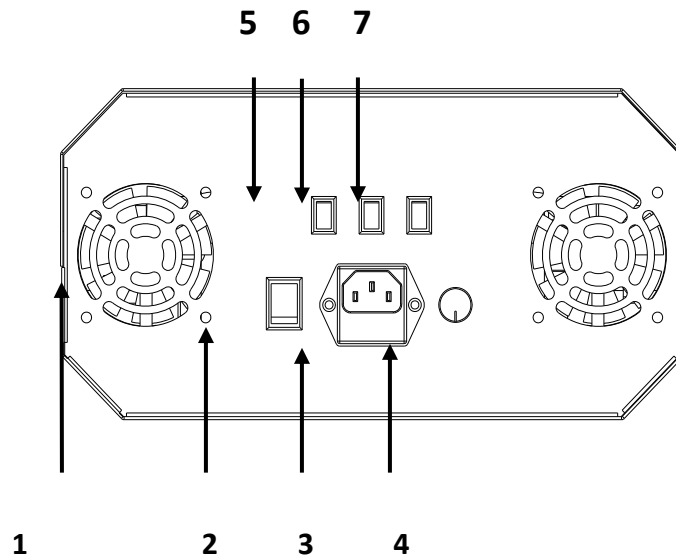
- Switch to AUTO mode and turn the unit on.
- The built-in programs will automatically cycle without external control. AUTO mode has no laser OFF function.

### **Front Panel :**



1. Sound Signal
2. Microphone
3. Laser Indicator
4. Power Indicator
5. No.2 Laser Aperture
- 6. No.1 Laser Aperture**

## Back Panel :



1. Fan
2. Power On/Off
3. Power cable
4. Potentiometer (Sound Sensitivity Knob)
5. No.1 Laser On/Off
6. No.2 Laser On/Off
7. Mode Switch (Switch between Sound Active and Auto)